

PART NAME	ECONOGLAS DOOR	PART No.	V-9760-L & V-9763-L thru V-9767-L
-----------	----------------	----------	-----------------------------------

MATERIAL:

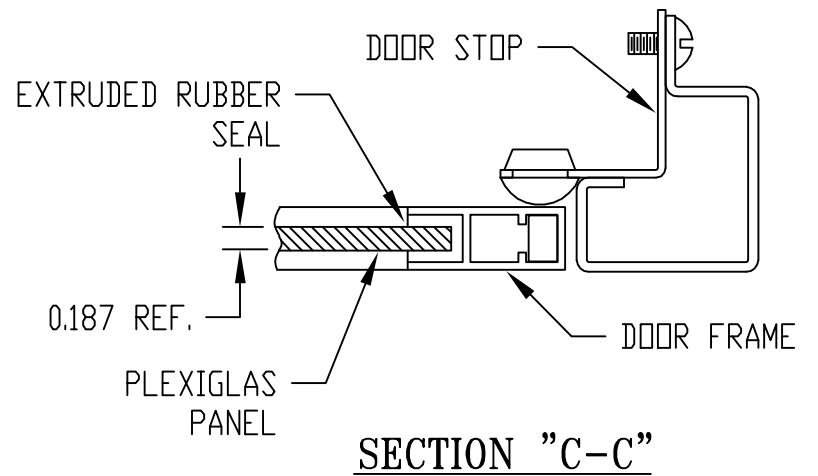
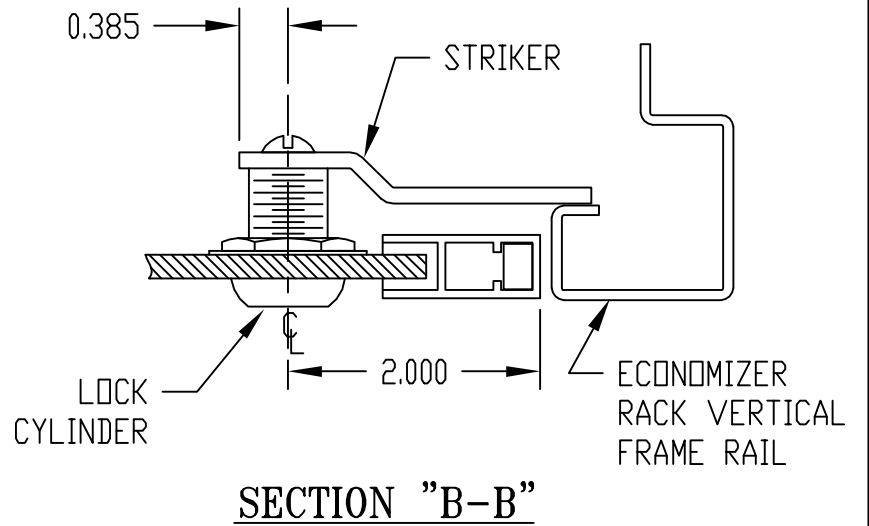
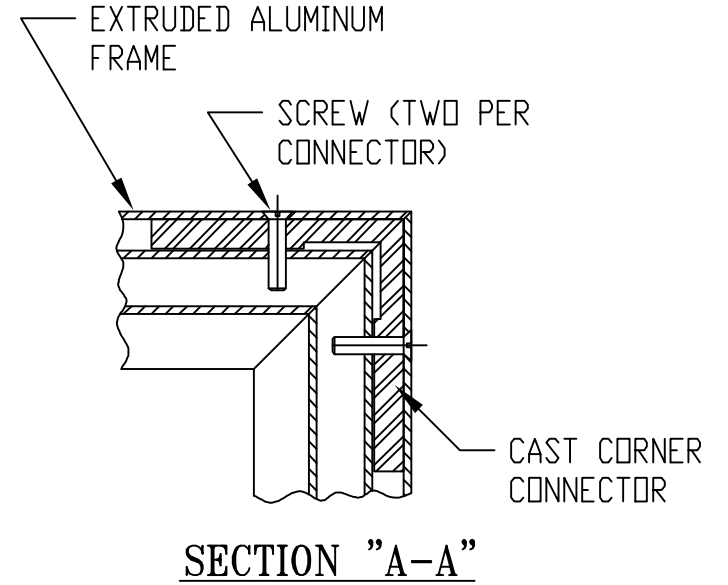
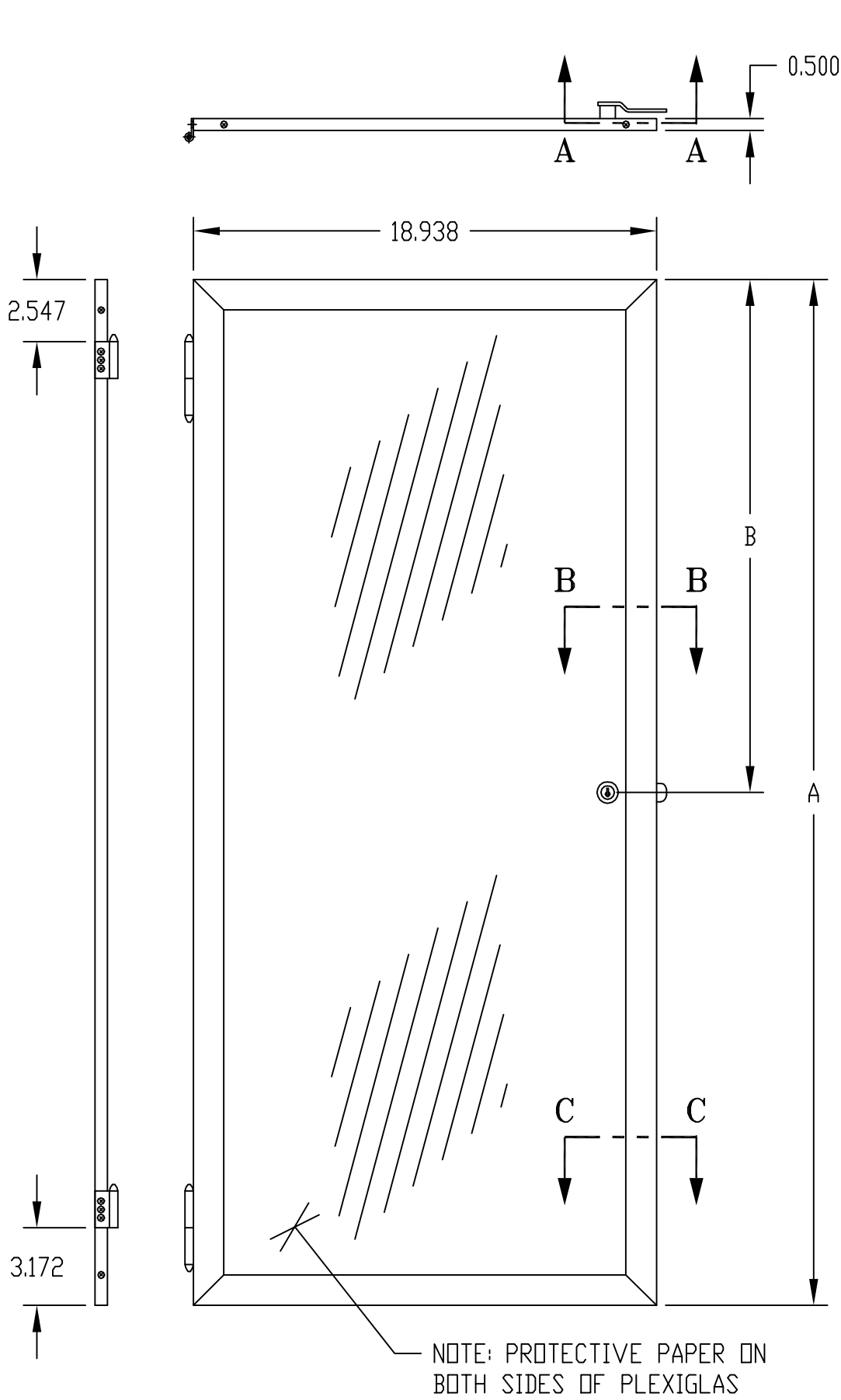
DOOR FRAME _____ ALUMINUM EXTRUSION
 DOOR PANEL _____ 0.187 THICK PLEXIGLAS
 WASHER _____ 20 GA. STAINLESS STEEL
 DOOR STOPS _____ 16 GA. STEEL
 HINGES _____ 14 GA. STEEL
 STRIKER _____ 0.125 x 0.750 STAINLESS STEEL BAR STOCK

DOOR:

- CLEARS PANEL SPACE WHEN OPENED 90° OR MORE
- IS HELD CLOSED WITH LOCK
- FITS ECONDMIZER UPRIGHT CABINET RACKS AND CLASSIC II CABINET RACKS

FINISH:

DOOR FRAME _____ CLEAR ANODIZED
 DOOR PANEL _____ SMOKE GRAY
 STRIKER, WASHER _____ NATURAL
 DOOR STOPS _____ SMOOTH BLACK
 HINGES _____ METALLIC GRAY



PART NO. LOCKING	HEIGHT A	B	RACK VERTICAL PANEL SPACE
V-9760-L	20.938	10.469	21.000
V-9763-L	41.938	20.969	42.000
V-9764-L	52.438	26.219	52.500
V-9765-L	61.188	30.594	61.250
V-9766-L	69.938	34.969	70.000
V-9767-L	78.688	39.344	78.750